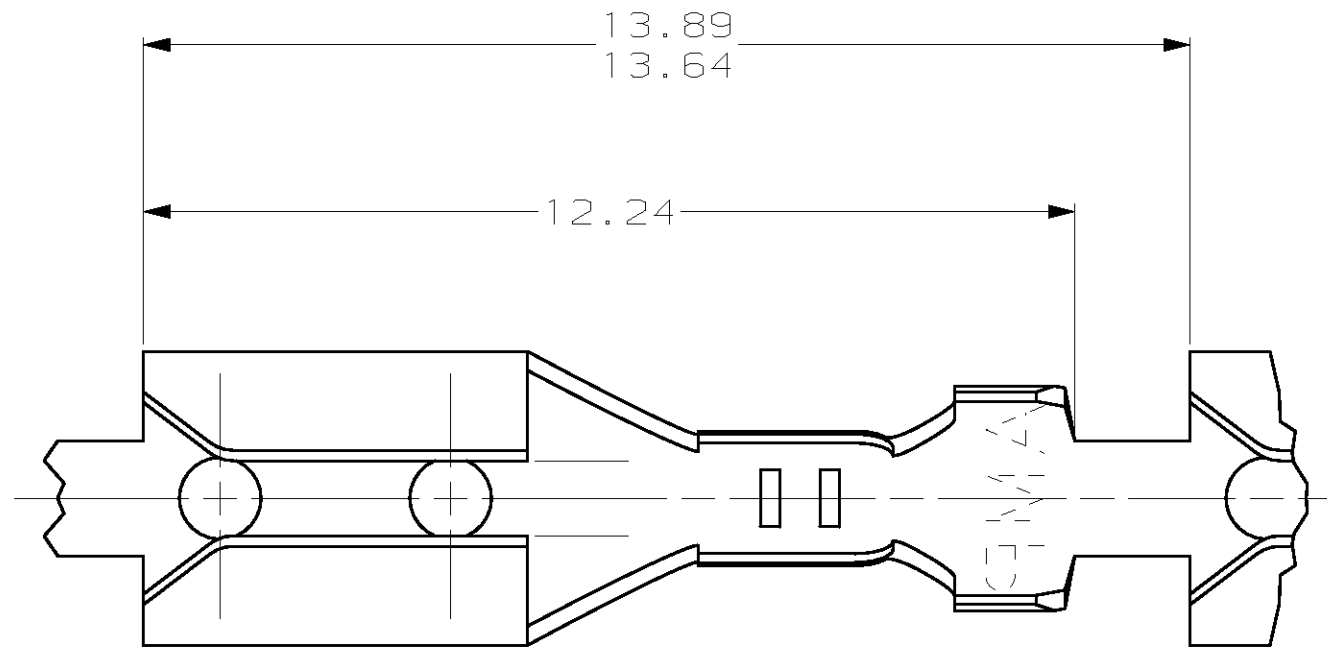
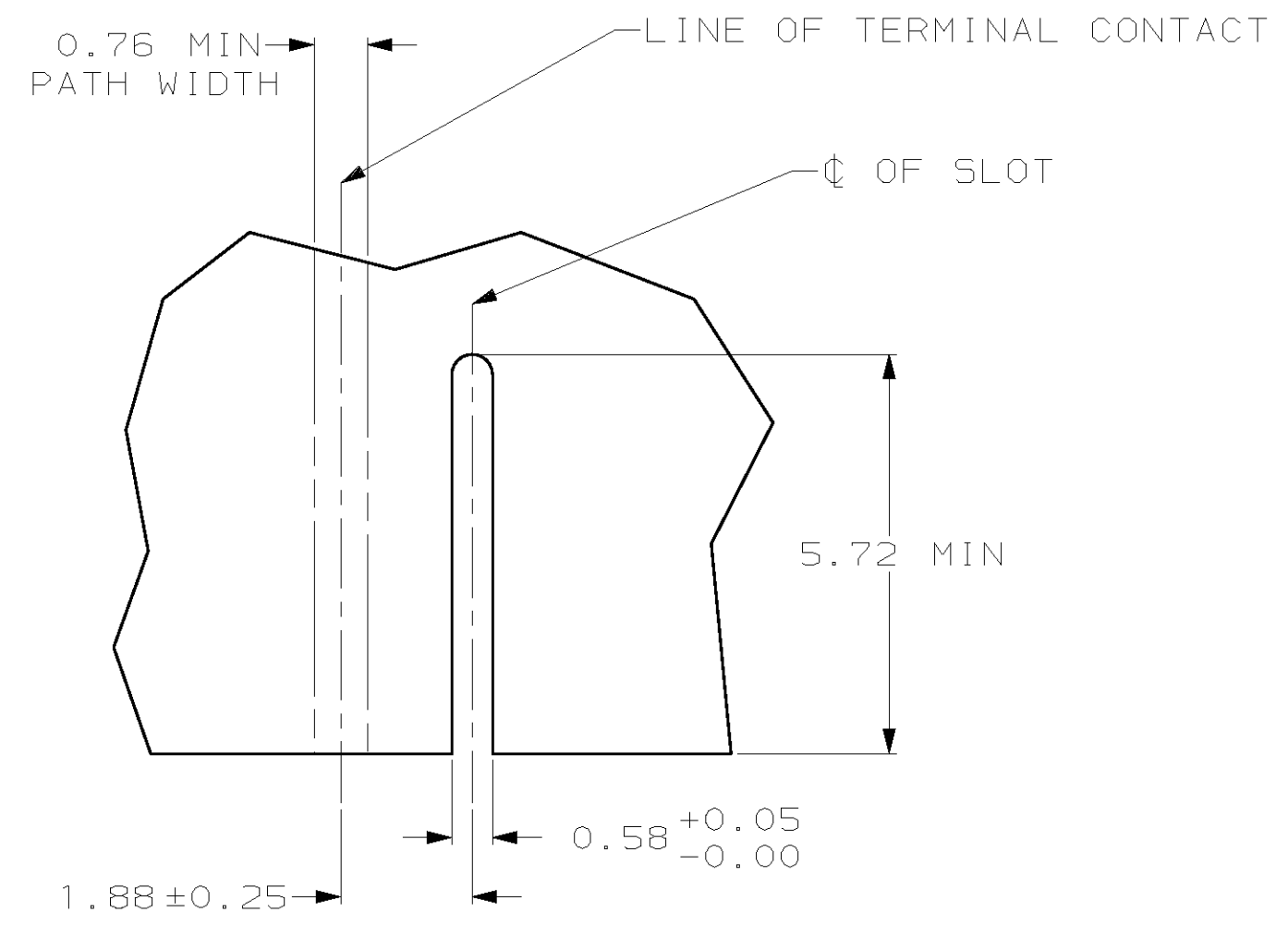


THIS DRAWING IS UNPUBLISHED. RELEASED FOR PUBLICATION
 (C) COPYRIGHT 19 BY AMP INCORPORATED. ALL RIGHTS RESERVED.

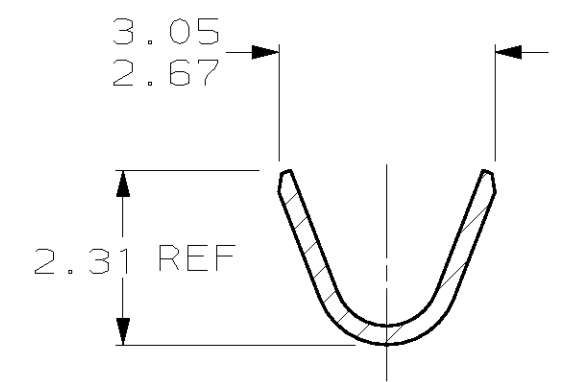
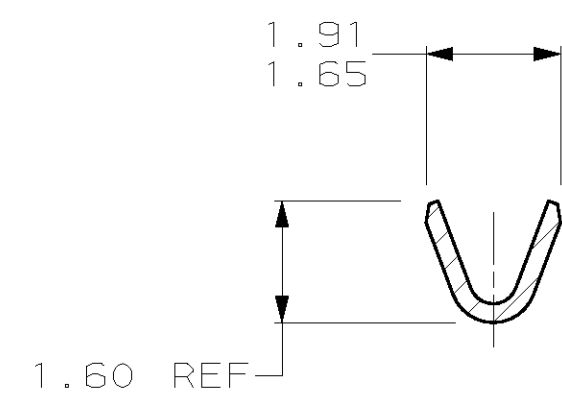
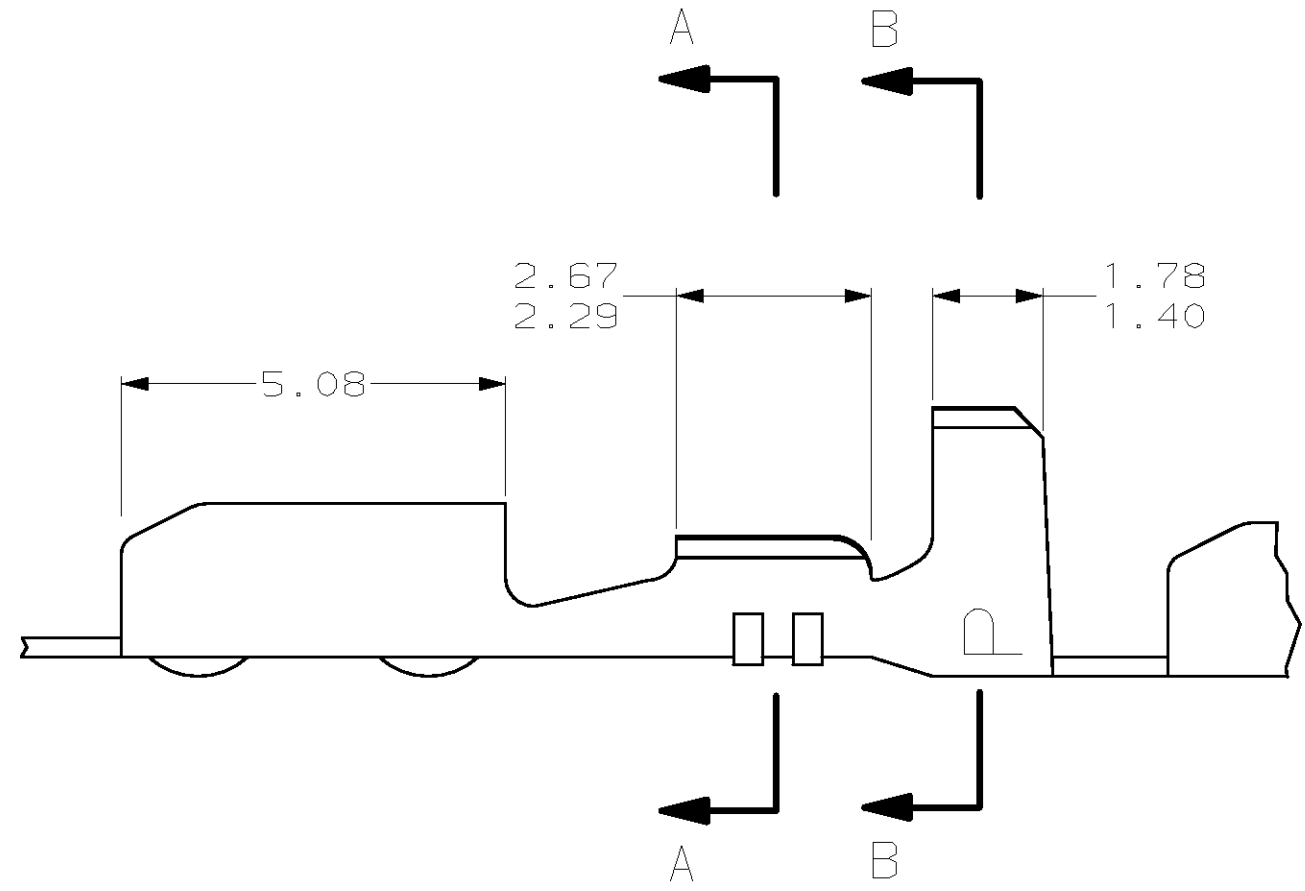
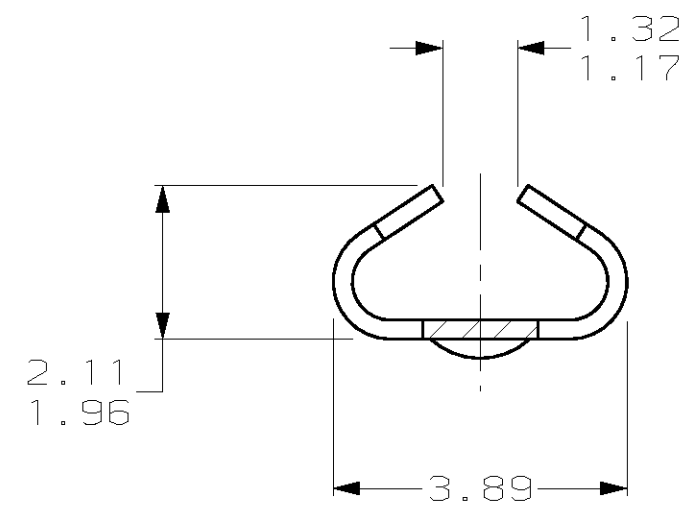
LOC		DIST		REVISIONS			
P	LTR	DESCRIPTION	DATE	DWN	APVD		
CM	52	G	REV PER EC	0L30-0117-97	6-9-97	JH	RS



- 1. WIRE RANGE: 0.3 - 0.05 MM² (30 - 22 AWG)
- 2. INSULATION RANGE: 1.91 MAX



RECOMMENDED CUT OUT FOR 1.57 MAX THICK PANEL



SECTION A-A

SECTION B-B

1.32	.052	1.96	.077	5.08	.200	-	-
1.17	.046	1.91	.075	3.89	.153	-	-
0.76	.030	1.88	.074	3.05	.120	-	-
0.58	.023	1.78	.070	2.67	.105	-	-
0.25	.010	1.65	.065	2.51	.099	13.89	.547
0.13	.005	1.60	.063	2.31	.091	13.64	.537
0.05	.002	1.57	.062	2.29	.090	12.24	.482
0.00	.000	1.40	.055	2.11	.083	5.72	.225
MM	IN	MM	IN	MM	IN	MM	IN

CONVERSION TABLE

METRIC

61455-2
PART NUMBER

THIS DRAWING IS A CONTROLLED DOCUMENT.		DWN	T. BECK	3-10-97
DIMENSIONS: mm		CHK	R. SWING	3-10-97
TOLERANCES UNLESS OTHERWISE SPECIFIED:		APVD	A. BEDDICK	5-16-97
0 PLC	±	NAME		
1 PLC	±	AMP Incorporated Harrisburg, PA 17105-3608		
2 PLC	±0.13	PRODUCT SPEC		
3 PLC	±	TERMINAL, 30-22 AWG, .075 MAX INSULATION, AMP-EDGE™		
4 PLC	±	APPLICATION SPEC		
MATERIAL	2.51 PH BRZ	SIZE		
FINISH	MATTE TIN	CAGE CODE		
CUSTOMER DRAWING		DRAWING NO		
SCALE		RESTRICTED TO		
10:1		A2 00779 C-61455		
SHEET		REV		
1 OF 1		G		